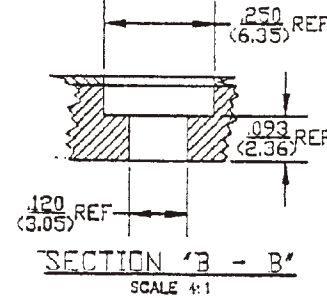
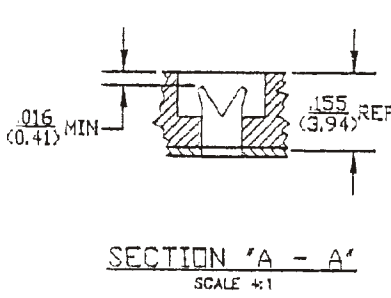
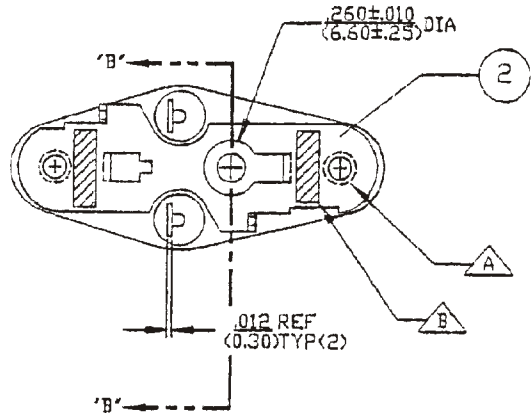
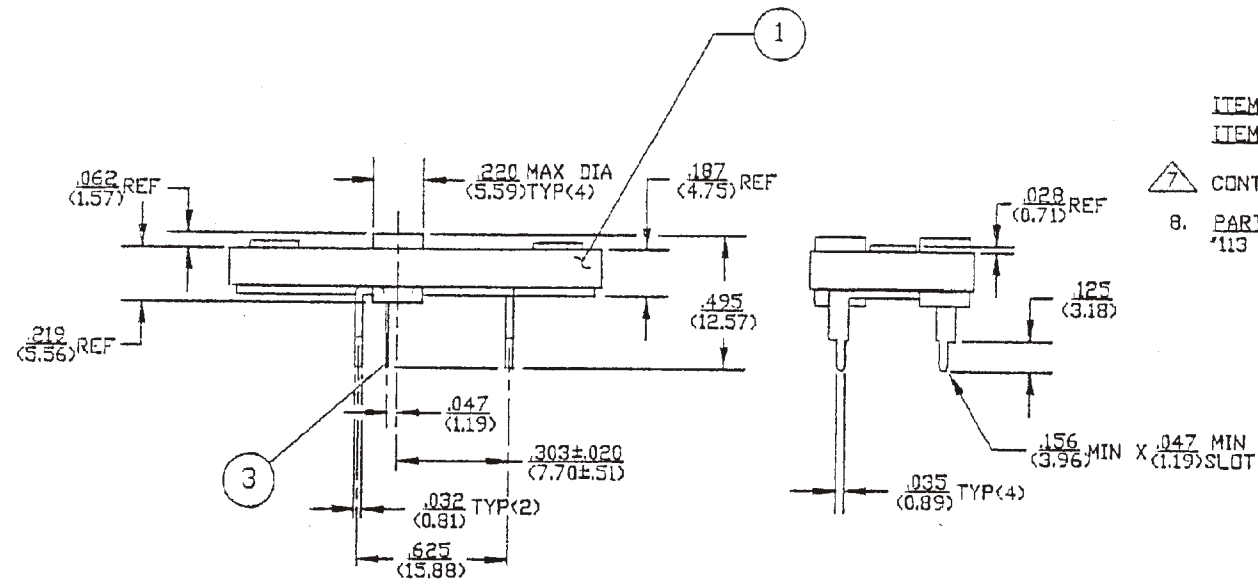
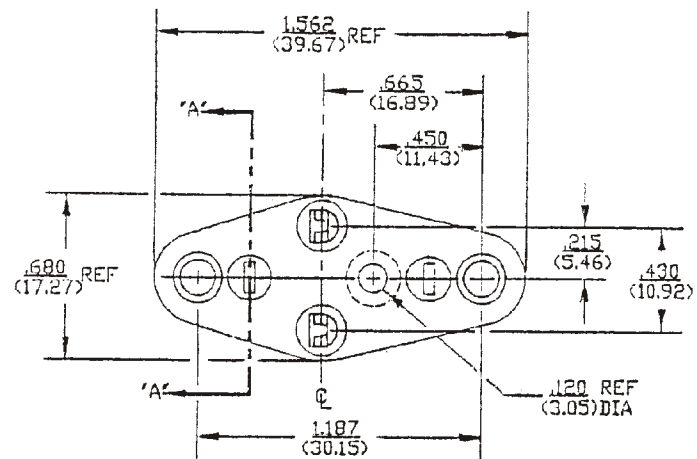


**REVISION RECORD**

ECN NO.	CUSTOMER REV.	AAVID REV.	DATE
11779	C	--A	2/12/01
1865	C	--B	1/5/04
1951	C	--C	5/26/04
1953	C	--D	5/27/04
2021	C	--E	9/14/04



**PART TABLE**

035120  
035121  
035123

ITEM	DESCRIPTION	MATL	QTY.
1	BODY (15116-3)	SEE	1
2	COLLECTOR PLATE (15979-1)	NOTE	1
3	CONTACTS (15980)	△	2

**NOTES:**

1. D.C. CURRENT RATING: 10 AMPS CONTINUOUS DUTY - 15 AMPS PEAK.
2. CONTACT RESISTANCE: AFTER 3 INSERTIONS OF A  $.043 \pm .0001$  DIA PIN CONTACT RESISTANCE WITH A  $.038 \pm .0001$  DIA PIN INSERTED SHALL NOT EXCEED .0075 OHMS AT 5 AMPS.
3. INSERTION FORCE: THE FORCE REQUIRED TO INSERT A  $.043 \pm .0001$  DIA PIN SHALL NOT EXCEED 5 LBS.
4. CONTACT RETENTION: AFTER 3 INSERTIONS OF A  $.043 \pm .0001$  DIA PIN, THE CONTACT MUST BE ABLE TO RETAIN A 3 OUNCE PIN OF  $.038 \pm .0001$  DIA.
5. TEST PINS: SHALL BE OF HARDENED STEEL WITH CHAMFERED TIP.

**MATERIAL:**

ITEM NO. 1, BODY: THERMOPLASTIC POLYESTER 30% GLASS FILLED PER MIL-M-24519 TYPE GPT-30F WITH U.L. TEMPERATURE INDEX OF 130°C OR BETTER AND FLAMMABILITY RATING 94 V-0.  
COLOR - BLACK (15116-1) FOR 6-32 UNC-2B THREADS  
GREY (15116-3) FOR M3 x 0.5-6H THREADS

ITEM NO. 2, COLLECTOR PLATE: BRASS WITH TIN PLATE.

ITEM NO. 3, CONTACTS: PHOSPHOROUS BRONZE .012(.30) THICK WITH TIN PLATE.

**CONTACTS ARE FREE FLOATING IN BODY, POSITIONAL TOLERANCE ±.016(.41) DOES NOT INCLUDE FLOAT.**

8. PART MARKING: PART NO. 16357-1 WAS ORIGINALLY PART MARKED WITH PART MARK '113 P 10020' PRIOR TO A CATALOG NUMBER (8118 PF 303) BEING ASSIGNED.

**035128**

C	ADD -3 PART	3/19/92	901777	C.H.D.	D.L.B.	TOLERANCES: ±.016(.41) ± 1/7 EXCEPT AS NOTED	NOTE: METRIC DIMENSIONS ARE IN PARENTHESES AND ARE EXPRESSED IN MILLIMETERS.
LEVEL	REVISION RECORD	DATE	ECN	DRAWN	CHECKED	MATERIAL: SEE NOTE	<b>Thermalloy Inc.</b> SOCKET, TO-3 POWER (SOLDERABLE) SCALE 2:1 ORIGINATING ECN 6408 SIZE C DRAWING NUMBER THM,16357-1 REVISION C
PROPRIETARY INFORMATION THIS DOCUMENT CONTAINS PROPRIETARY AND/OR PATENT INFORMATION AND IS NOT TO BE REPRODUCED IN WHOLE OR PART WITHOUT WRITTEN AUTHORIZATION BY THERMALLOY, INC. EXCEPT PREPARING SOURCING INFORMATION SPECIFICATIONS FOR THERMALLOY, INC. PRODUCTS.						DRAWN: J.RUVANG DATE: 7/2/82 CHECKED: D.BLAND DATE: 7/2/82 APPROVED: D.BLAND DATE: 7/2/82	
CODE IDENTIFICATION NUMBER 13103							